



CL-2000i

Chemiluminescence Immunoassay System



Exclusive distributor



Add : Zohour District, Zagazig 14512 , Egypt .
Tel /fax : 0552329695
Mob : 01220108221 - 01024025659 - 01557468221
E-mail : support@guda-tek.com
Website : www.guda-tek.com

mindray

healthcare within reach

Mindray Solution for Immunoassay Tests

01 >>

High Throughput

Up to 240 tests/hour

04 >>

Flexible Scalability

Flexible connection with BS-800 module and BS-2000 module into integrated system



02 >>

Large Capacity

300 samples in one batch
Support continuous loading
36 onboard capacity for reagent cartridges
1134 cuvettes loaded in one batch

03 >>

Easy Operation

Intuitive interface for software
Real-time indication of cuvettes, waste and wash buffer status
Step-by-step maintenance guide

Test Menu

Thyroid

FT3
FT4
T3
T4
TSH
Anti-TG
Anti-TPO
Thyroglobulin (TG)
TRAB *
rT3 *

Fertility

Total β -HCG
FSH
LH
Prolactin
E2
E3
TESTO
PROG
Free testosterone *
17-OH PROG *
SHBG *

Metabolic

Intact PTH
Calcitonin
Vitamin D total
Ferritin
Vitamin B12
Folate
RBC Folate

Diabetes

Insulin
C-peptide

Tumor Marker

CEA
AFP
CA125
CA15-3
CA19-9
FPSA
TPSA
NSE
CYFRA 21-1
CA72-4
ProGRP *
PG I *
PG II *
SCCA *
HE4 *
CA242 *
CA50 *

Down's screening

PAPP-A *
Free β -HCG *

Growth hormone

hGH *
IGF-1 *
AMH *

Others

ACTH
DHEA-S
Cortisol

Infectious Disease

HBsAg
Anti-HBs
HBeAg
Anti-HBe
Anti-HBc
HIV combo
Anti-HCV
Anti-TP
Anti-HBc IgM *
HBeAg quantitative *

Cardiac

CK-MB
Myoglobin
Troponin I
BNP
Angiotensin I *
Angiotensin II *
Renin *
Aldosterone *

Liver fibrosis

LN *
HA *
PIIINP *
C IV *

Inflammation

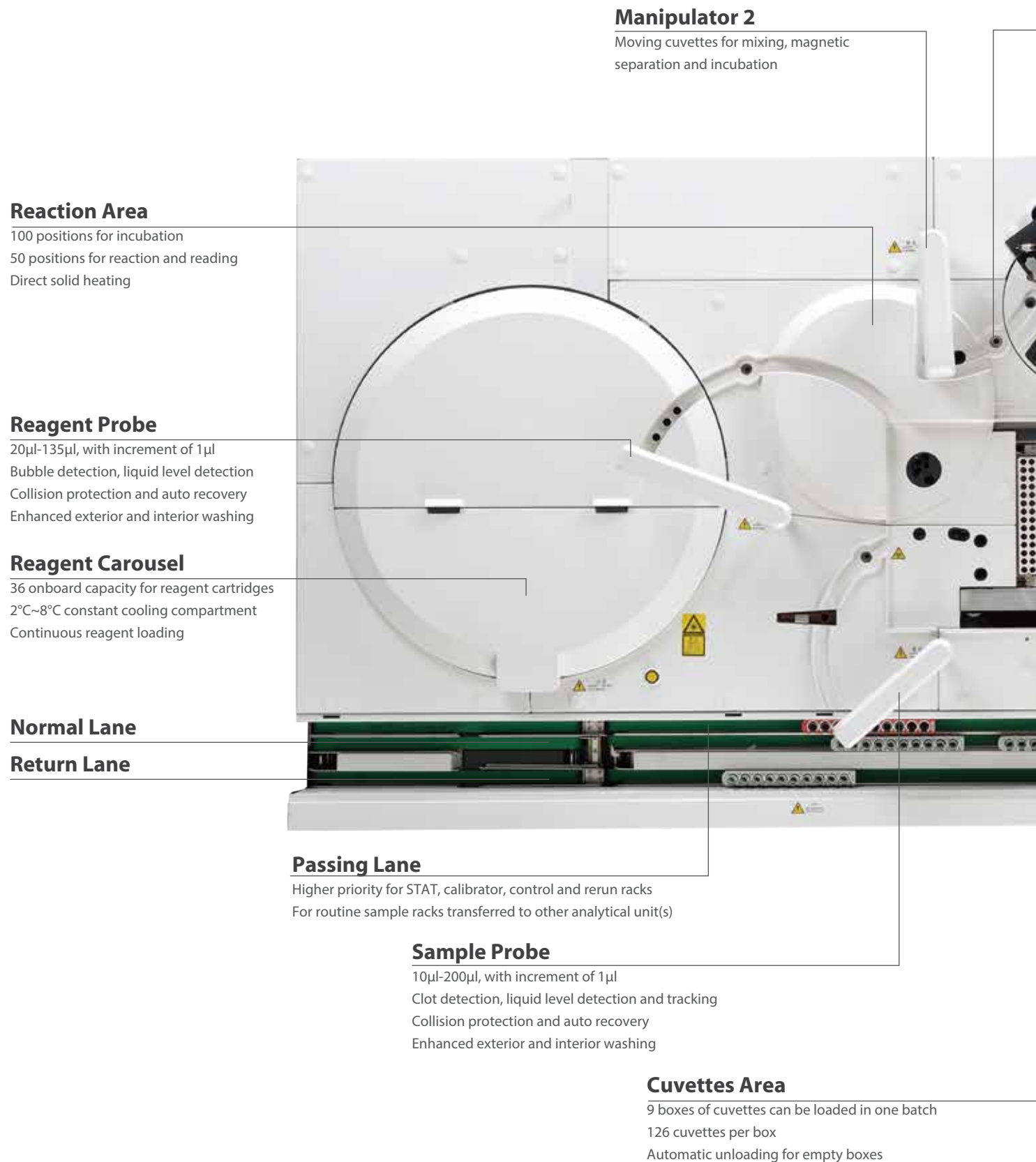
PCT *

*To be launched

■ CE pending

CL-2000i

Chemiluminescence Immunoassay System



Manipulator 2

Moving cuvettes for mixing, magnetic separation and incubation

Reaction Area

100 positions for incubation
50 positions for reaction and reading
Direct solid heating

Reagent Probe

20 μ l-135 μ l, with increment of 1 μ l
Bubble detection, liquid level detection
Collision protection and auto recovery
Enhanced exterior and interior washing

Reagent Carousel

36 onboard capacity for reagent cartridges
2°C~8°C constant cooling compartment
Continuous reagent loading

Normal Lane

Return Lane

Passing Lane

Higher priority for STAT, calibrator, control and rerun racks
For routine sample racks transferred to other analytical unit(s)

Sample Probe

10 μ l-200 μ l, with increment of 1 μ l
Clot detection, liquid level detection and tracking
Collision protection and auto recovery
Enhanced exterior and interior washing

Cuvettes Area

9 boxes of cuvettes can be loaded in one batch
126 cuvettes per box
Automatic unloading for empty boxes

System Layout

Mixing Unit

High speed vortexer mixing for reaction solution

Magnetic Separation Unit

4-phase washing

Sample Delivery Module (SDM)

Up to 300 samples to be loaded
Continuous sample loading and offloading

STAT and RUN buttons

Flexible STAT rack loading
One touch to initiate analysis

Substrate Bottles

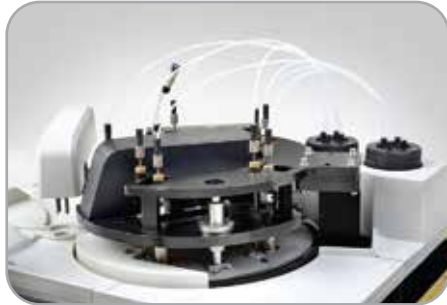
2 bottles for equilibrium
2 bottles ready for aspirating
Bottom piercing to eliminate contamination

Manipulator 1

Moving cuvettes for dispensing
Intelligent cuvette detection

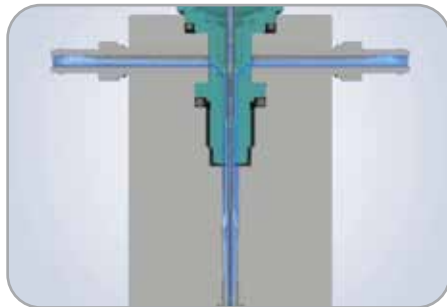


Reliable Results



Enhanced Reaction System

- Non-touch vortexer mixing for reaction solution without any contamination
- Precisely controlled temperature for magnetic separation, incubation & reaction by maintenance free direct-solid heating technology
- Reliable clinical performance with enhanced PMT chemiluminescent detection system



Efficient Washing System

- Interior & exterior probe washing with high pressure pre-heated water
- Programmed enhanced washing with detergent for reagent and sample probes
- 4-phase washing for magnetic separation unit with high efficiency

Stable Reagent Cartridges Utility

- 2°C~8°C constant cooling compartment for reagents cartridges
- Membrane sealed liquid reagent ready-to-use
- Intelligent magnetic particles mixing by reagent carousel rotation



Intelligent Indication for Daily Operation

- Real-time indication of cuvettes, waste and wash buffer status
- Real-time monitoring for substrates consumption
- Easy operation for replacing cuvettes, wash buffer and placing new substrates



Advanced Software



User-friendly Interface

- Unified platform of BS-2000M series, BS-800M series, BS-480 and future system
- Real-time status monitoring for analytical unit, SDM and carousels
- Intelligent distribution for STAT samples



Real-time QC Status Monitoring

- Westgard Rules and Two-Control Evaluation check
- Levey-Jennings chart and Twin-Plot chart for review
- Real-time alarm and locating when QC result(s) is out of range
- Auto QC setup capability

Traceable Test Results

- Reagent, calibrator and control information can be recalled from archive history
- Intuitive software design, easy to trace results



Reflex and Re-run Function

- Pre-defined reflex and Re-run assays will be performed automatically when preset criteria is met



Test Summary Function

- Test summary during certain period, including calibration, QC, Sample, valid tests and rerun tests
- Facilitate to computation of total test costs within a defined period
- The summary can be archived into excel files or printed to review and backup



Step-by-step Maintenance Guide

- Scheduled maintenance and maintenance guide for analytical unit
- Ensure performance reliability and reduce unnecessary service calls
- Error report transferrable to service engineers for immediate troubleshooting which can minimize instrument downtime

CL-2000i

Chemiluminescence Immunoassay System

Technical Specifications

General Information

Throughput Up to 240 tests/hour
Measurement Principle Micron superparamagnetic particles platform with alkaline phosphatase (ALP) labeled reagents and AMPPD substrate

Sample Assembly

Sample Feeder Rack system with Sample Delivery Module
Up to 300 onboard samples with 30 racks
Sample Probe Steel probe, liquid level detection, clot detection, horizontal and vertical collision protection
Sample Volume 10 μ l~200 μ l, with increment of 1 μ l
Sample Dilution Automatic dilution with 1:2 ~ 1:40

Reagent Assembly

Reagent Disk 36 reagent positions, continuous loading, real-time mixing for magnetic particles
Cooling System 2°C~8°C
Reagent Barcode Automatic scanning
Reagent Probe Steel probe, liquid level detection, bubble detection, horizontal and vertical collision protection
Reagent Volume 20 μ l~135 μ l, with increment of 1 μ l

Substrate System

Substrate Bottle 500 tests per bottle, bottom piercing
Substrate Loading Capable of continuous loading during testing
Substrate Heating Constant heating
Aspiration Volume 200 μ l

Magnetic Separation Unit

Separation Assembly 4-phase magnetic separation
Temperature Accuracy: 37 \pm 0.3°C, fluctuation: \pm 0.1°C

Measurement and Reaction System

Detection Mode Photon counting
PMT Calibration LED reference module
Signal Detector Photomultiplier (PMT) photon counter
Reaction Disk 150 positions
Temperature Accuracy: 37 \pm 0.3°C, Fluctuation: \pm 0.1°C
Mixing Unit Non-touch vortexer mixing

Cuvette Loading and Waste Collection

Cuvette Disposable plastic cuvettes
Cuvette Loading Trays continuous loading and offloading, 126 cuvettes per tray, up to 9 trays (1134 cuvettes) can be loaded in one batch
Waste Collection 2 waste boxes, overflow detection

Working Conditions

Power Supply 110V/115V~, 60Hz; 220V-240V~, 50Hz;
220V/230V~, 60Hz
Input Power 3200VA
Operating Temperature 15°C~30°C
Relative Humidity 35%RH~80%RH, without condensation
Dimension Main Unit: 1450mm*1020mm*1200mm (W*D*H)
SDM: 710mm*1020mm*1200mm (W*D*H)
Total: 2150mm*1020mm*1200mm (W*D*H)
Weight: 750kg
Altitude Height -400m~2000m
(optional external compressor for 2000m~4000m)

Mindray Building, Keji 12th Road South,
High-tech Industrial Park, Nanshan, Shenzhen 518057, P.R. China
Tel: +86 755 8188 8998 Fax: +86 755 26582680
E-mail: intl-market@mindray.com www.mindray.com

mindray are registered trademarks or trademarks owned by Shenzhen Mindray Bio-medical Electronics Co., LTD.
© 2015 Shenzhen Mindray Bio-Medical Electronics Co., Ltd. All rights reserved. Specifications subject to changes without prior notice.
P/N: ENG-CL2000i-21285x8-20160923

Exclusive distributor
GudaTek
LAB TECHNOLOGIES

ADD: Zuhua 2nd St., Zengcheng 14512, China.
Tel: 020-82329895
Mob: 01220188221 / 0104925689 / 0151788221
E-mail: support@guda-tek.com
Website: www.guda-tek.com

mindray